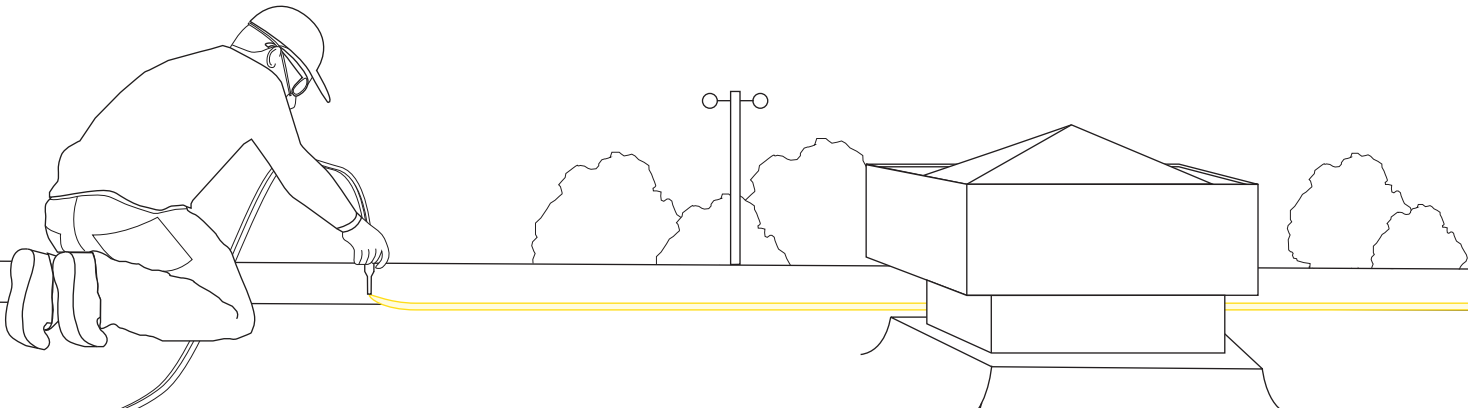




NIGHT SHOT

What is a "Night Shot"?

Low pressure spray polyurethane foam (SPF) can be used to temporarily seal the edge where an existing roof surface meets the new roofing system. Laying a 3/4" to 1 1/2" thick bead where the membrane and roof substrate meet will protect the edge against moisture and water infiltration until the project is resumed.



Why Handi-Foam® Quick Cure SPF is the best option.

Handi-Foam® Quick Cure low pressure spray polyurethane foam (SPF) has a 30–60 second tack-free time which allows the product to be sprayed along the edge where the existing roof substrate and membrane meet. The product is available in a variety of sizes which allows for varying job sizes and projects.

ITEM	DESCRIPTION	YIELD (bdft)	YIELD (linear ft.)	YIELD (linear ft.)
P10720	II-205 HANDI-FOAM	205 bdft (19 m ²)	3132 at 1 inch bead	783 at 2 inch bead



Committed to Product Stewardship

Handi-Foam Quick Cure has received GREENGUARD GOLD Certification which reinforces our commitment to product stewardship by contributing to healthier indoor environments with our low emitting products.

